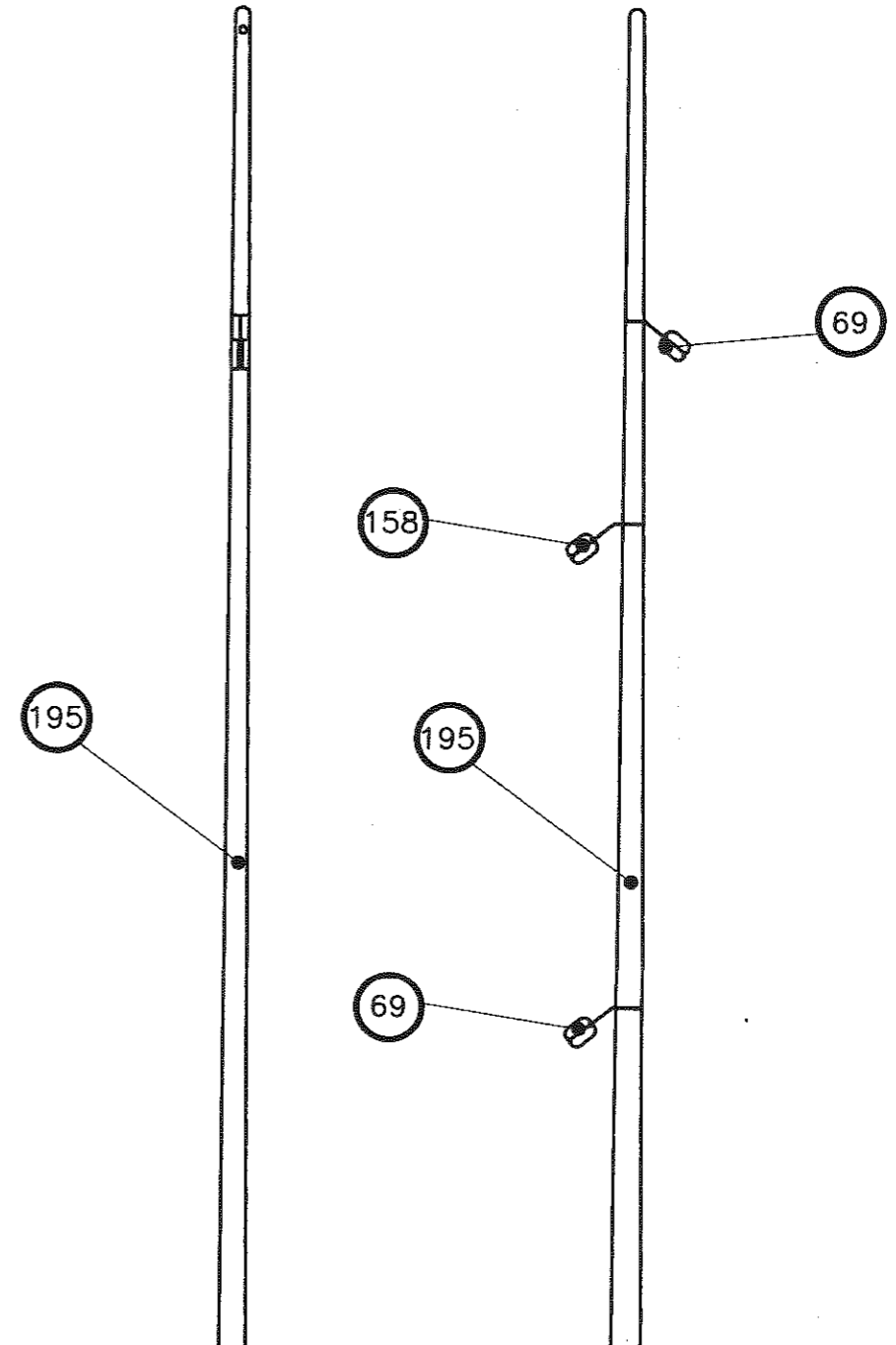
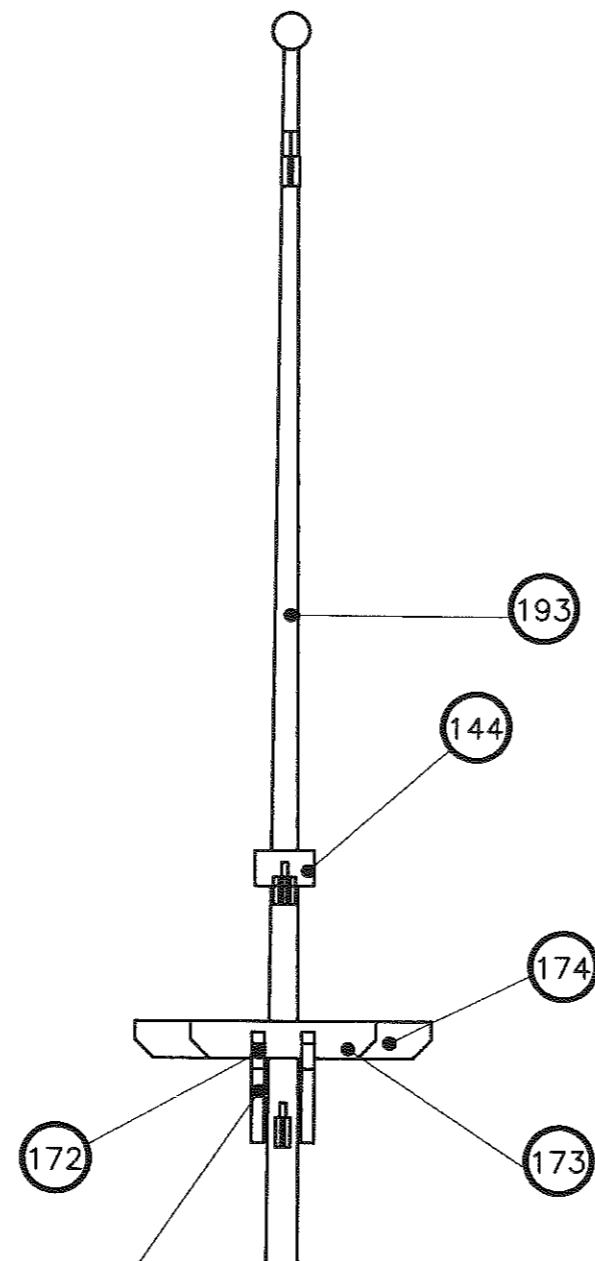
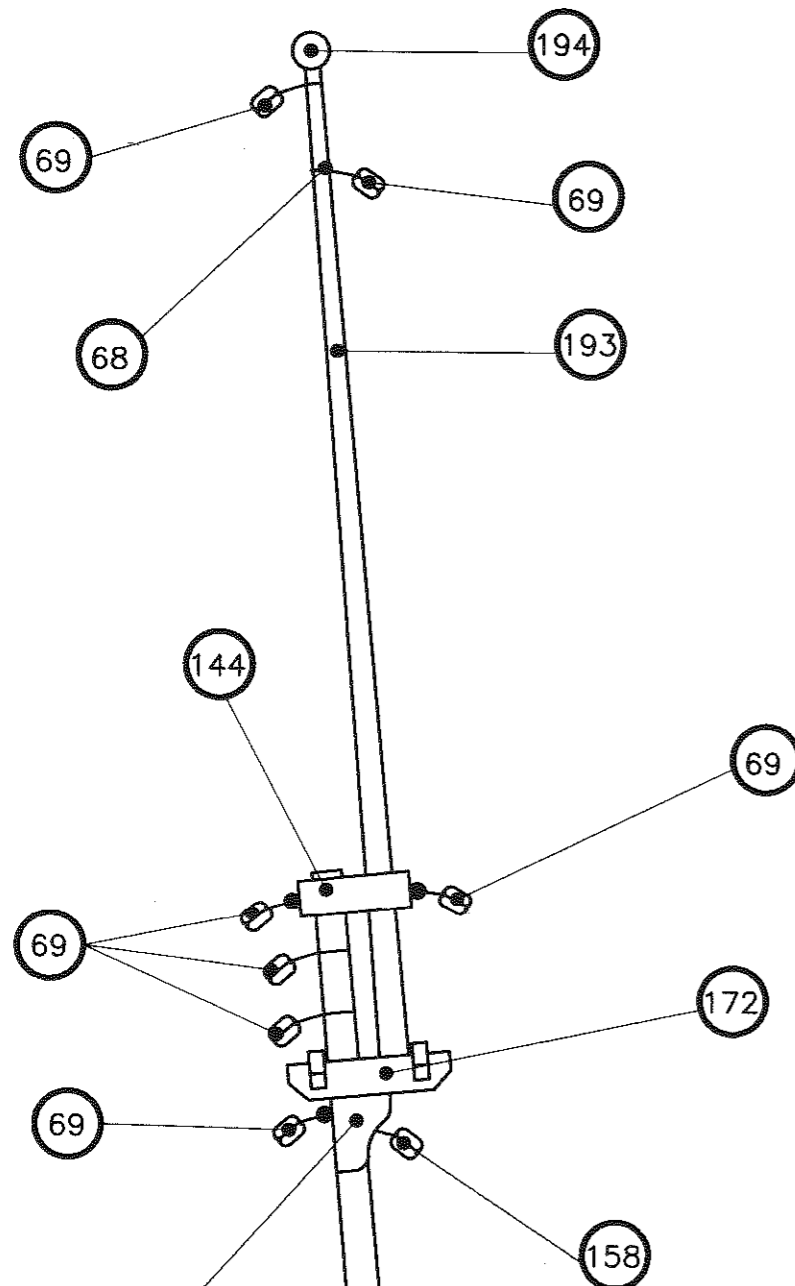
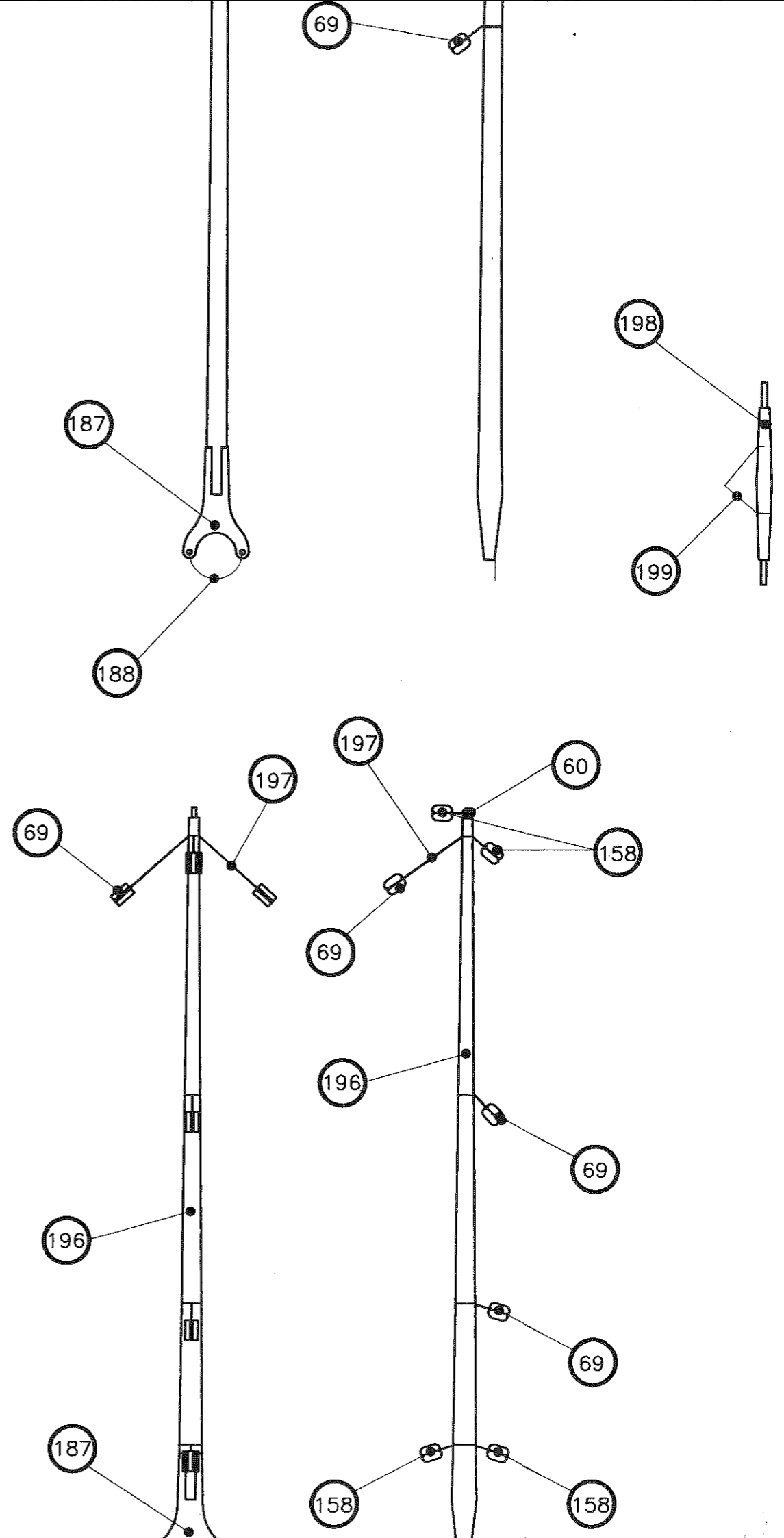
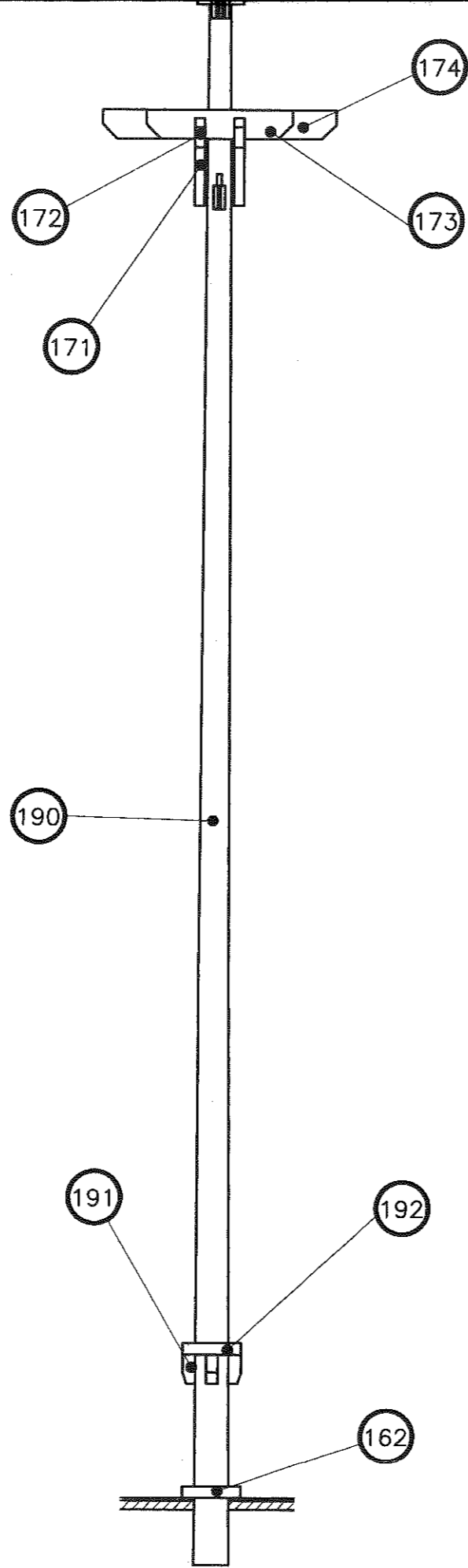
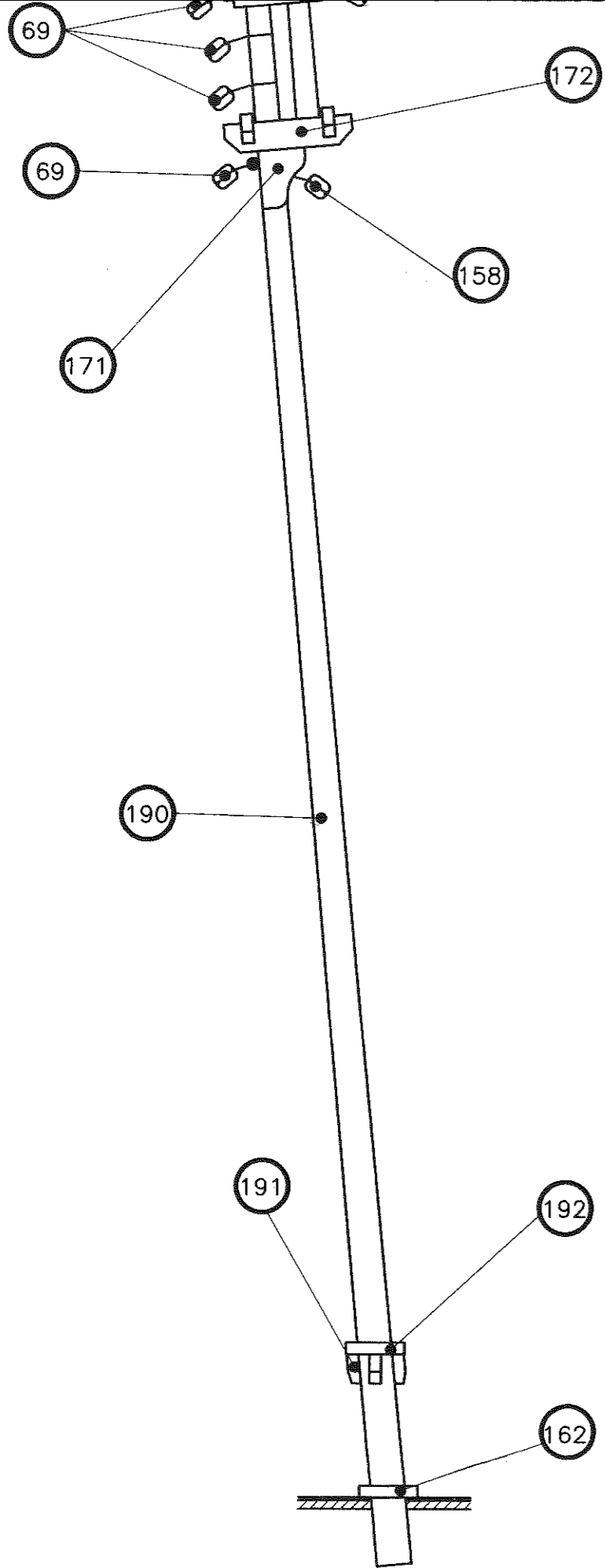




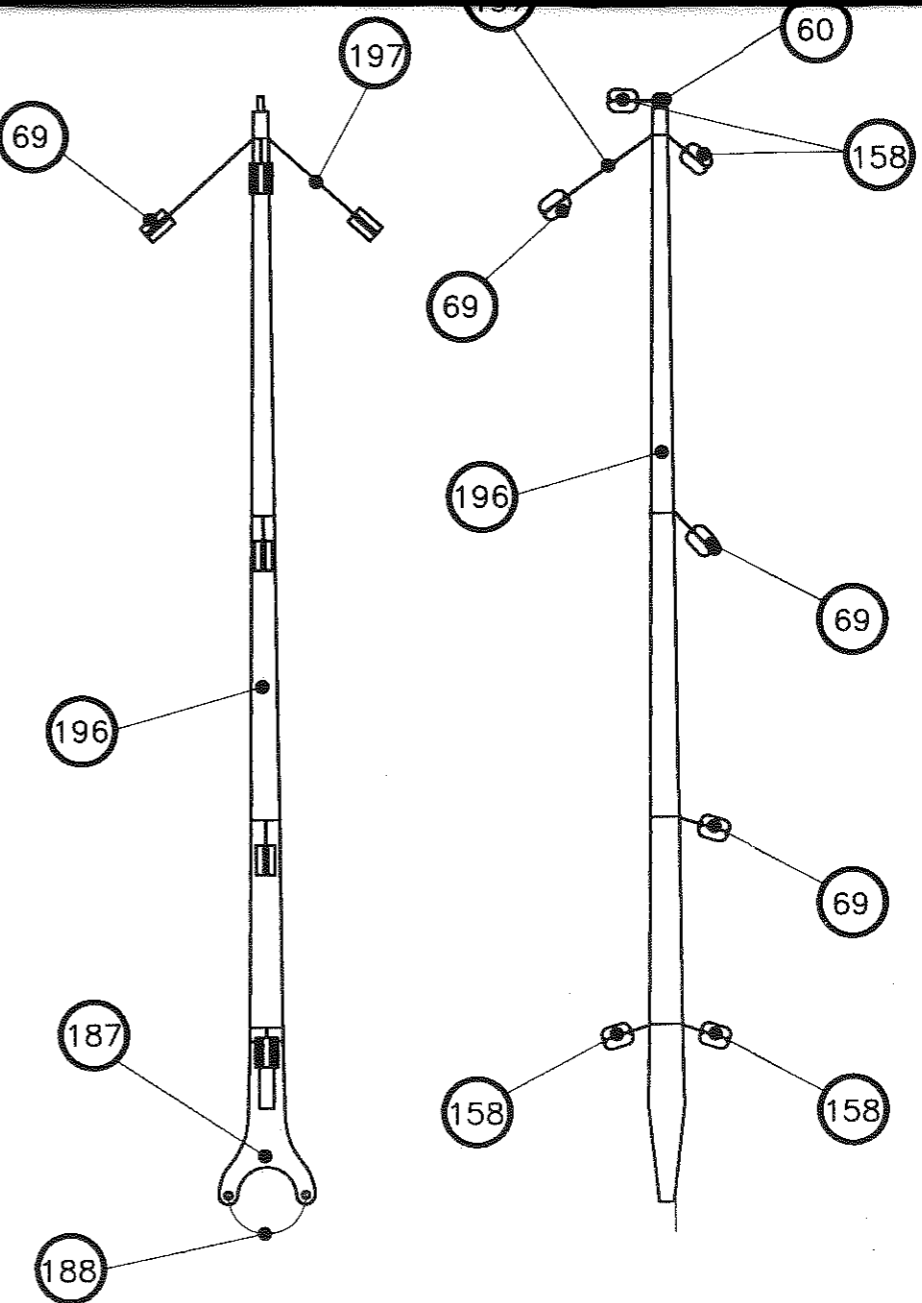
scottish maid/1839

Nº2





Palo mayor
Main mast
Grand mat
Hauptmast

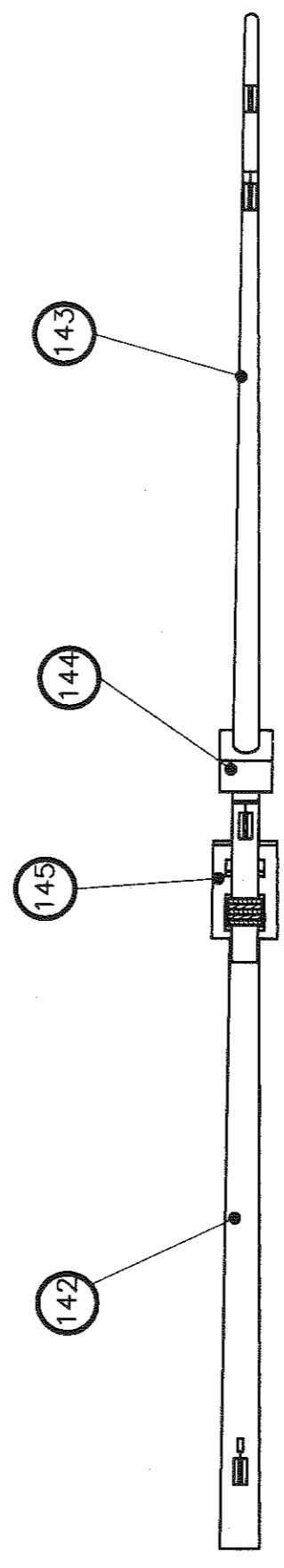
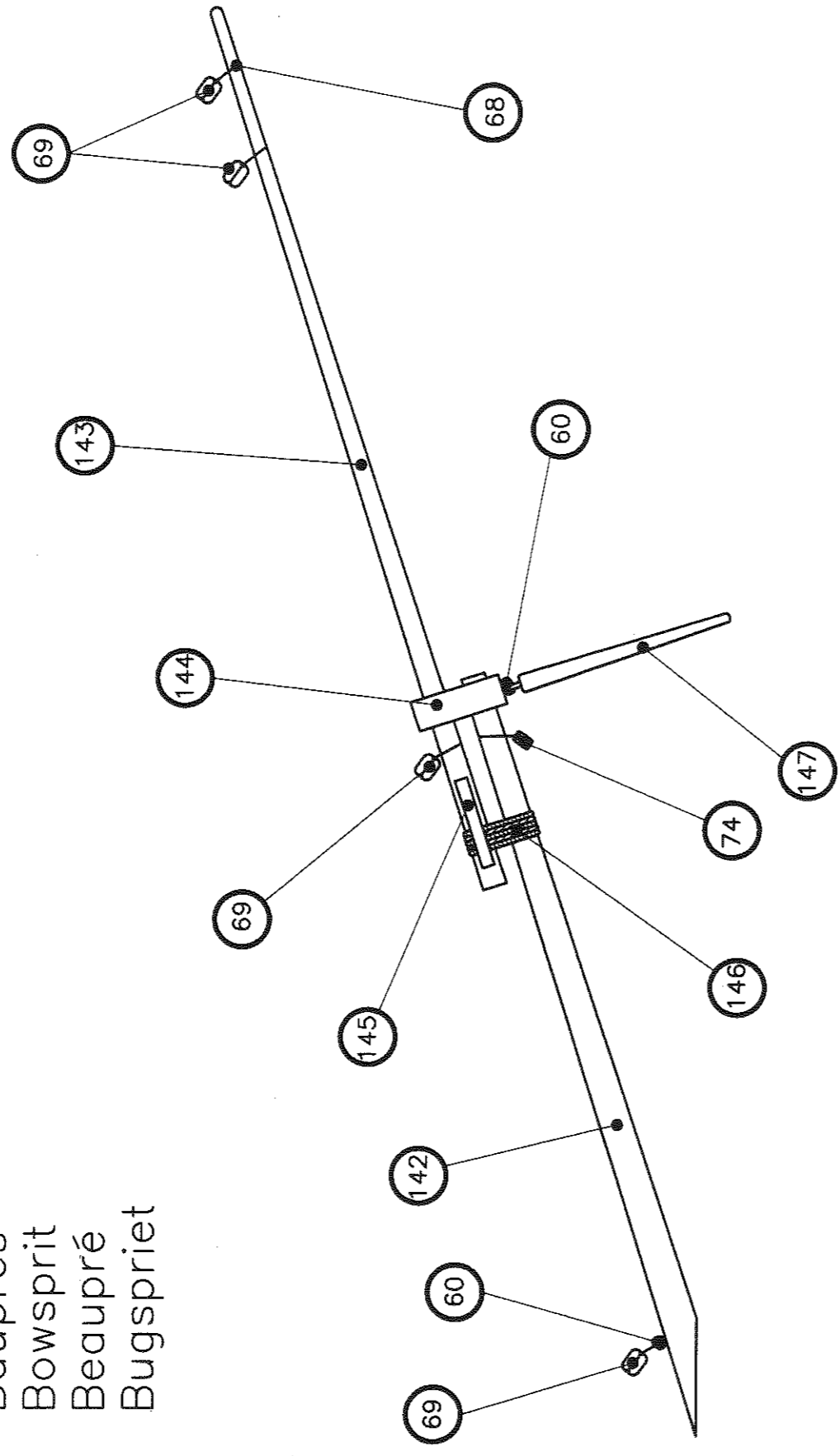


Palo mayor
Main mast
Grand mat
Hauptmast

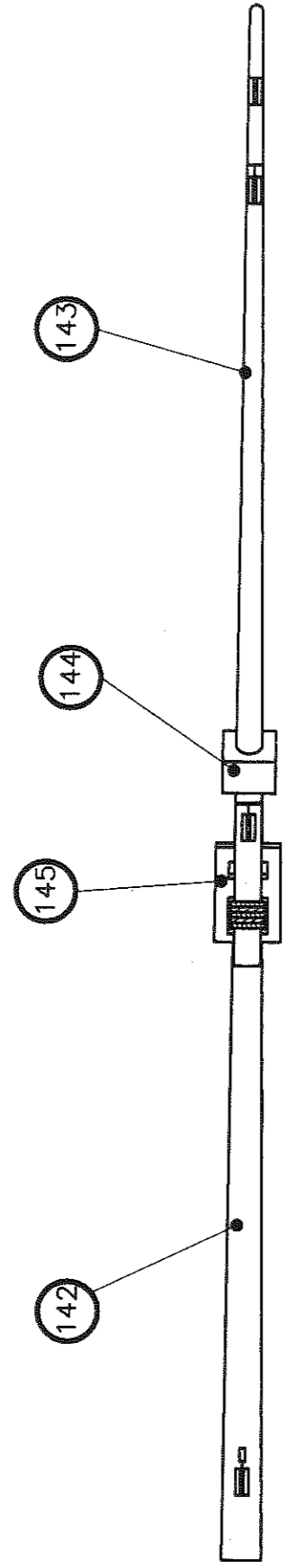
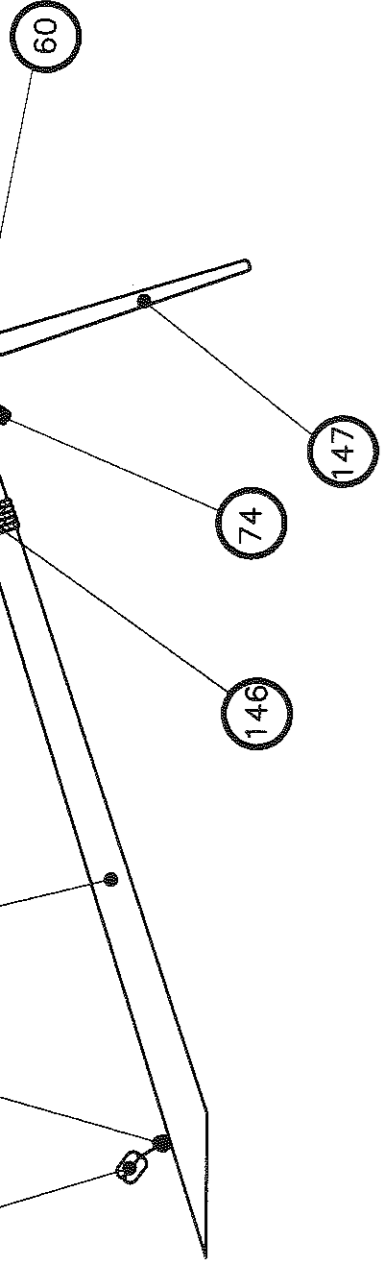
Nr.	Description	Qty.	Meas. mm
80	Puerta cubierta pequeña	2	Ø 4,5
81	Tambores molinete	1	1,5x4
82	Cabillero molinete	1	1,5x4
83	Cabillas	32	8
84	Puntal cabillero molinete	1	4x4x
85	Laterales tambucho proa	2	1,5 F
86	Trasera tambucho proa	1	1,5 F
87	Frontal tambucho proa	1	1,5 F
88	Techo tambucho proa	1	1,5 F
89	Tapacete tambucho proa	1	1,5 F
90	Forro tambucho	12	0,6x
91	Puerta tambucho proa	1	1,5 F
92	Zócalo tambucho proa	4	0,6x
93	Cuarteles escotillas pequeñas	2	1,5 F
94	Tapas escotillas pequeñas	6	0,6x
95	Marcos longitudinales escotillas pequeñas	4	1,5x
96	Marcos longitudinales escotillas pequeñas	4	1,5x
97	Montantes izquierdos escalera 8 peldaños	2	Pref
98	Montantes derechos escalera 8 peldaños	2	Pref
99	Escalones	16	1x5x
100	Cuartel escotilla principal	1	1,5 F
101	Tapas escotilla principal	7	0,6x

Nr.	Description	Qty.	Meas. mm
1	False keel	1	4 P
2-12	Frames	11	4 P
13-14	Bow false keel reinforcements	4	4 P
15	Mast reinforcements	2	4 P
16	Bow hatch cover	1	1,5
17	Stern hatch cover	1	1,5
18	Main deck	1	1,5
19	Main deck planking	20	0,6
20	Stern deck reinforcements	2	4 F
21	Stern deck reinforcements	2	4 F
22	Stern frame reinforcements	2	4 F
23	1st planking strakes	34	1,5
24	Pin-nails	500	12
25	Bow water-ways	2	1,5
26	Side water-ways	2	1,5
27	Stern water-way	1	1,5
28	Main hatch longitudinal coamings	2	1,5
29	Main hatch transversal coamings	2	1,5
30	Stern hatch longitudinal coamings	4	1,5
31	Stern hatch transversal coamings	4	1,5
32	Bulwarks	2	1,5
33	Bulwark inner planking	8	0,6
34	Transom	1	1,34
35	Transom inner planking	7	0,6
36	Hull 2nd. planking veneers	34	0,6
37	Bulwark outer planking	6	0,6
38	Stern	1	5
39	Keel (part)	1	5
40	Keel (part)	1	5
41	Stern post	1	5
42	Rubbing strakes	2	2x
43	Stern rubbing strake reinforcements	2	2x
44	Fenders	4	1,1
45	Timber heads	52	3x
46	Bulwark inner panels	54	0,1
47	Transom step gunwale	1	1,1
48	Transom step sides	2	1,1
49	Bow gunwales	2	1,1
50	Side gunwales	2	1,1
51	Stern thwart	1	1,1
52	Transom timber heads	4	3x
53	Stern gunwale	1	1,1
54	Rudder blade	1	5
55	Rudder hinges	4	P
56	Rudder hinge shafts	2	Ø
57	Rudder spigot	1	Ø
58	Rudder reinforcements	2	Ø
59	Rudder tiller	1	2
60	Eye bolts	95	1
61	Stern transom rubbing strake	1	2
62	Transom embellishments	2	0
63	Rudder tiller partners	2	1
64	Rudder wheel stanchions	2	1
65	Rudder wheel shaft	1	Ø
66	Rudder wheel drum	1	Ø
67	Rudder wheel	1	2
68	Block straps, double blocks and dead eyes	85	Ø
69	Blocks	67	4
70	Rudder tiller rope (brown)	1	Ø
71	Channels	4	1
72	Large dead eyes	32	Ø
73	Large dead eye chain-plates (brown)	16	Ø
74	Small dead eyes	6	Ø
75	Small dead eye chain-plates	2	Ø
76	Chain-plate reinforcements	18	2
77	Windlass sides	2	1
78	Windlass corner braces	2	1
79	Windlass lathes	2	1
80	Large cogged wheel	1	Ø
81	Windlass drums	2	Ø
82	Windlass pin-rack	1	1
83	Belaying pins	32	8
84	Windlass pin-rack stanchion	1	4
85	Bow deck-house sides	2	1
86	Bow deck-house rear	1	1
87	Bow deck-house front	1	1
88	Bow deck-house roof	1	1
89	Bow deck-house companion lid	1	1
90	Deck-house planking	12	Ø
91	Bow deck-house door	1	1
92	Bow deck-house plinths	4	1
93	Small hatch covers	2	1
94	Small hatch lids	6	1
95	Small hatch transversal frames	4	4
96	Small hatch longitudinal frames	4	4
97	8 step stairs left stanchions	2	2
98	8 step stairs right stanchions	2	2
99	Steps	16	1
100	Main hatch cover	1	7
101	Main hatch lids	7	7

Baupres
Bowsprit
Beaupré
Bugspriet



DETAILS – DETAILS – DETAILS – EINZELHEIT



DETALLES—DETAILLS—DETAILS—EINZELHEIT

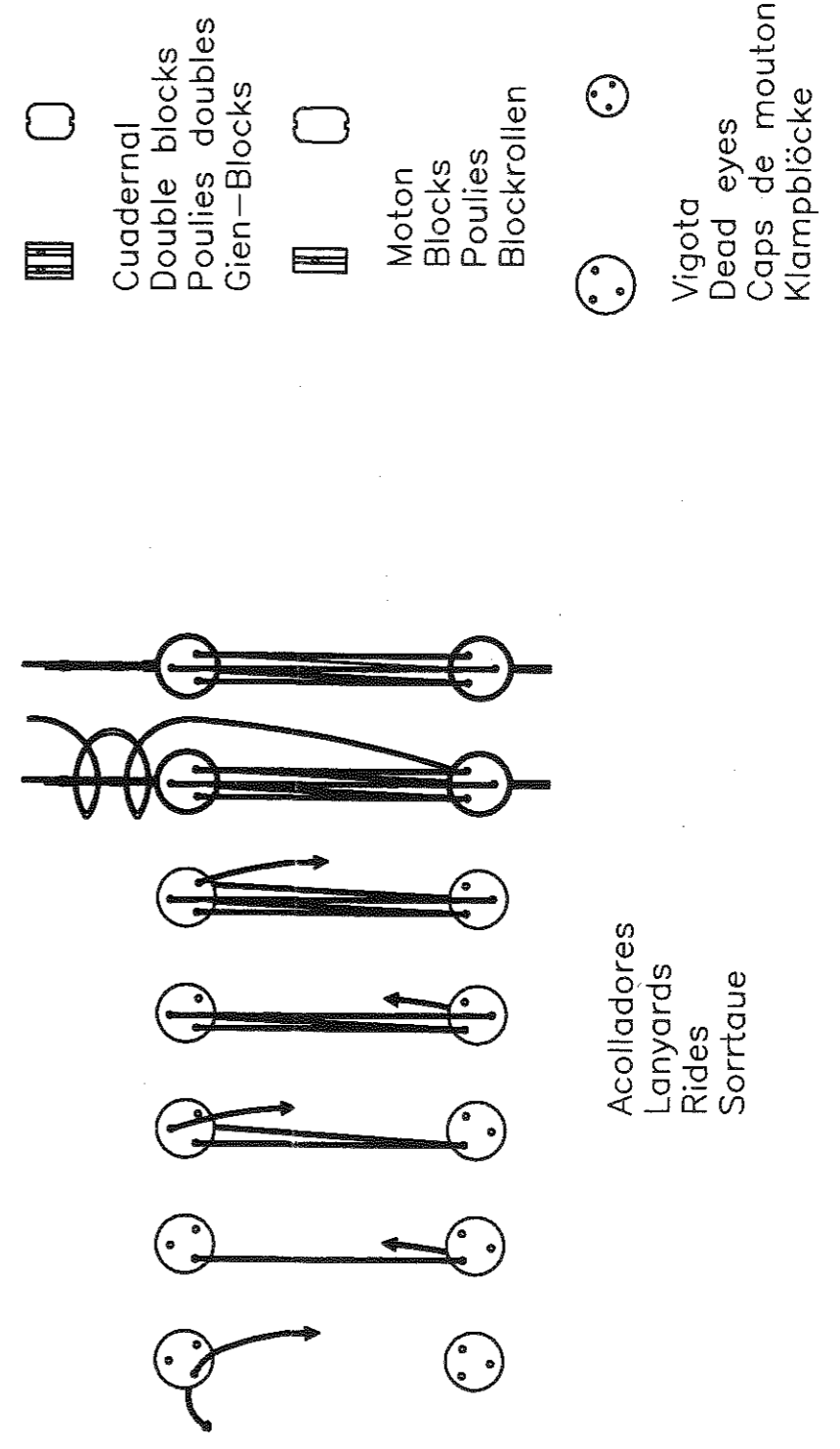


Fig.2

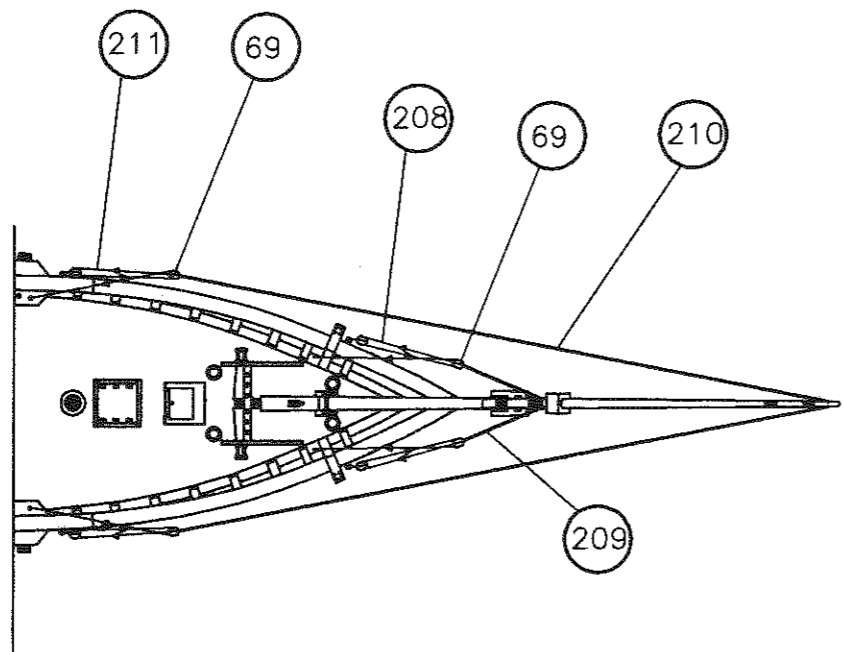


Fig.3

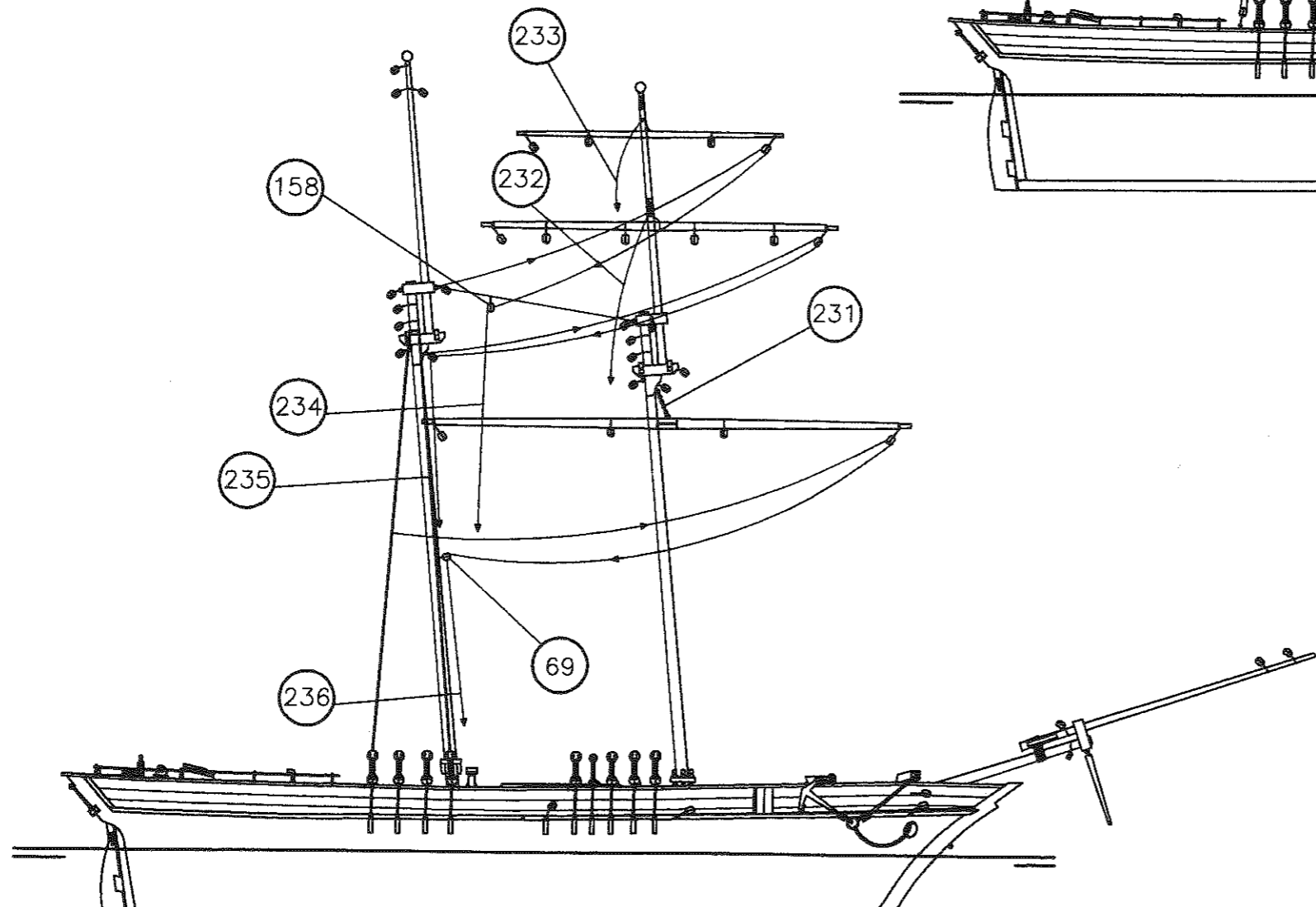
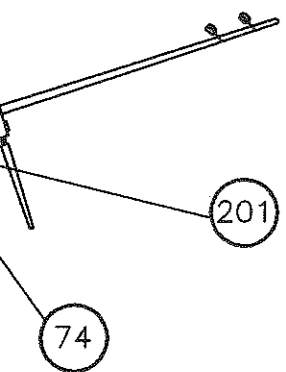
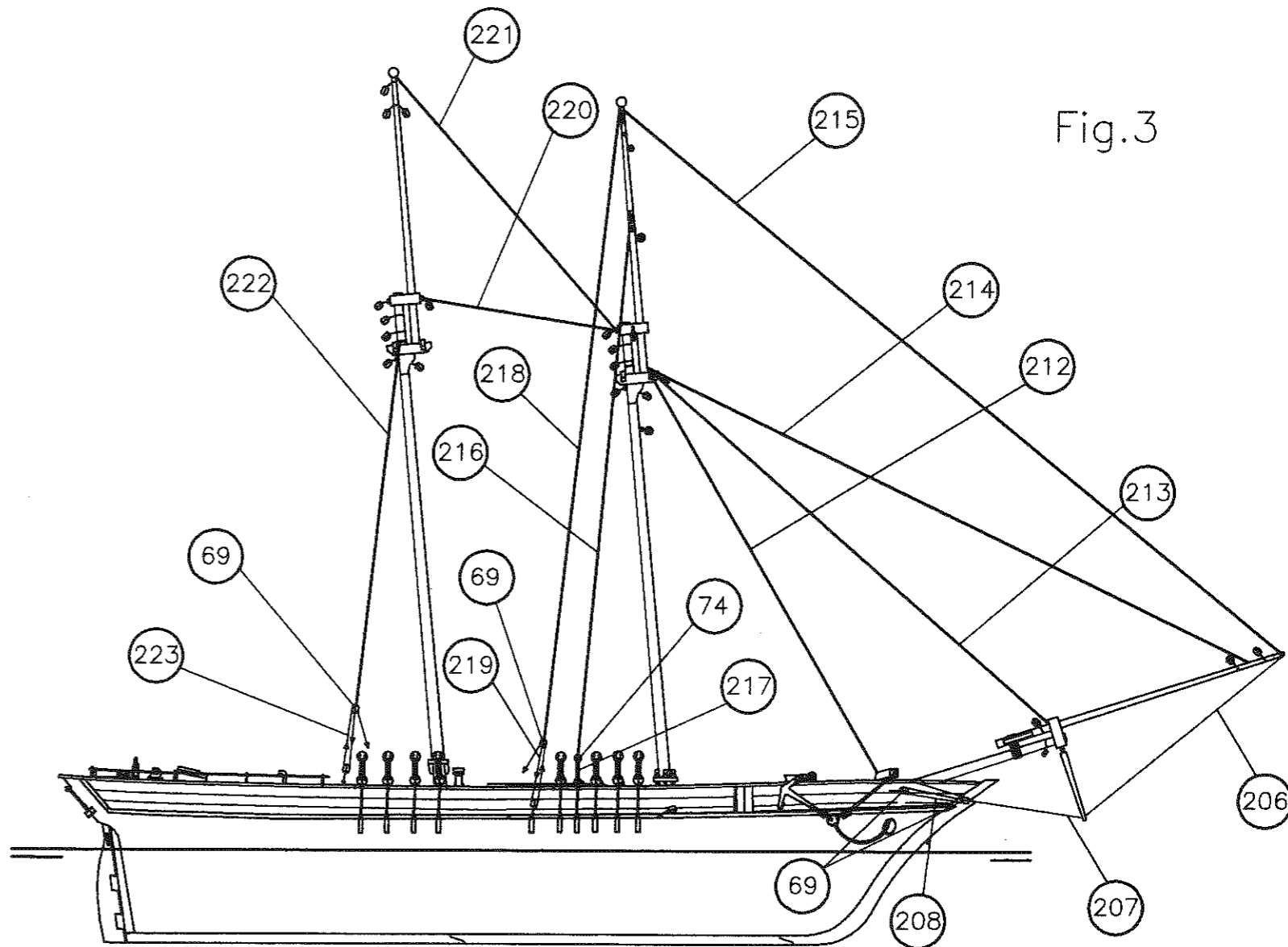
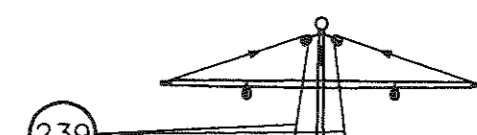
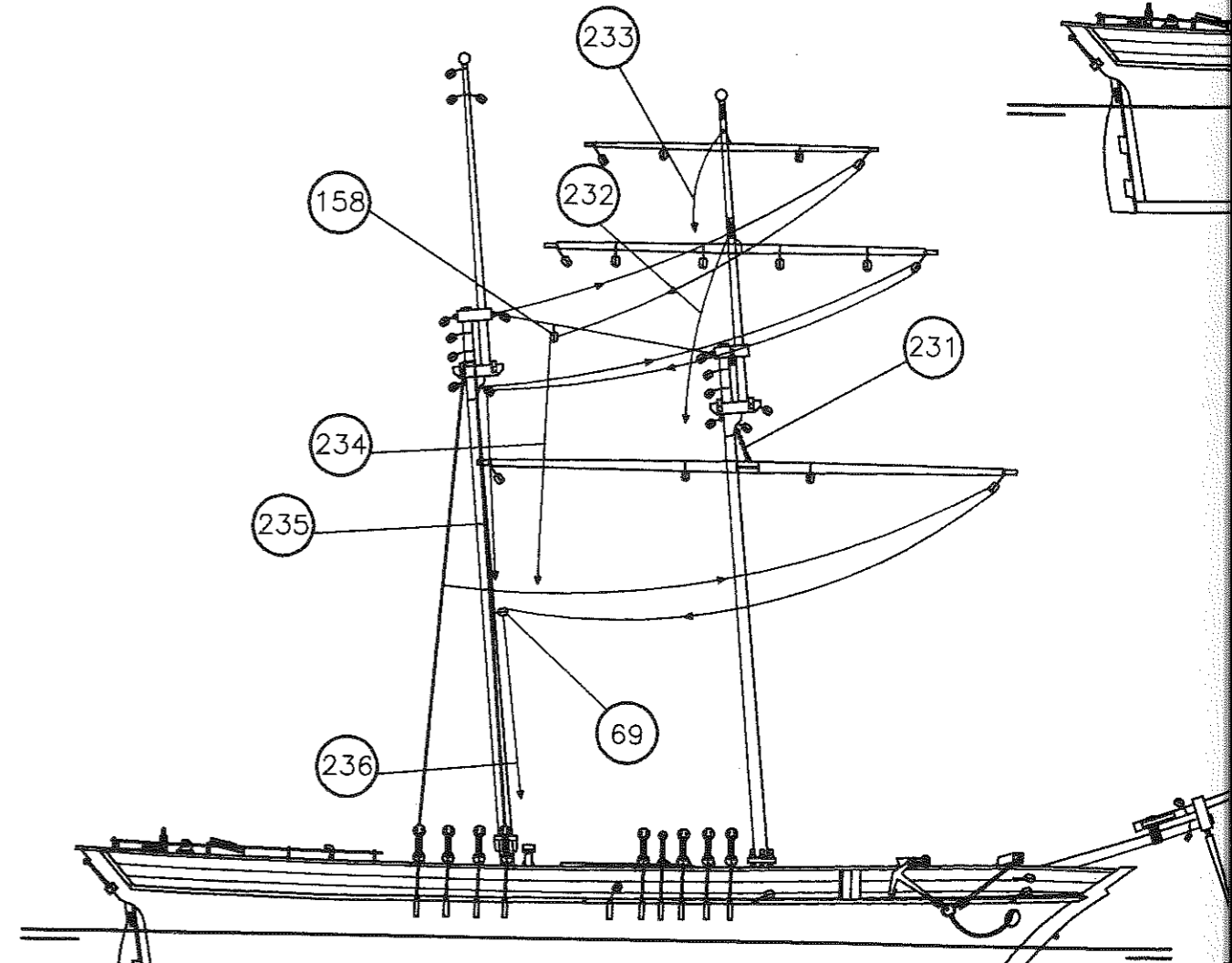
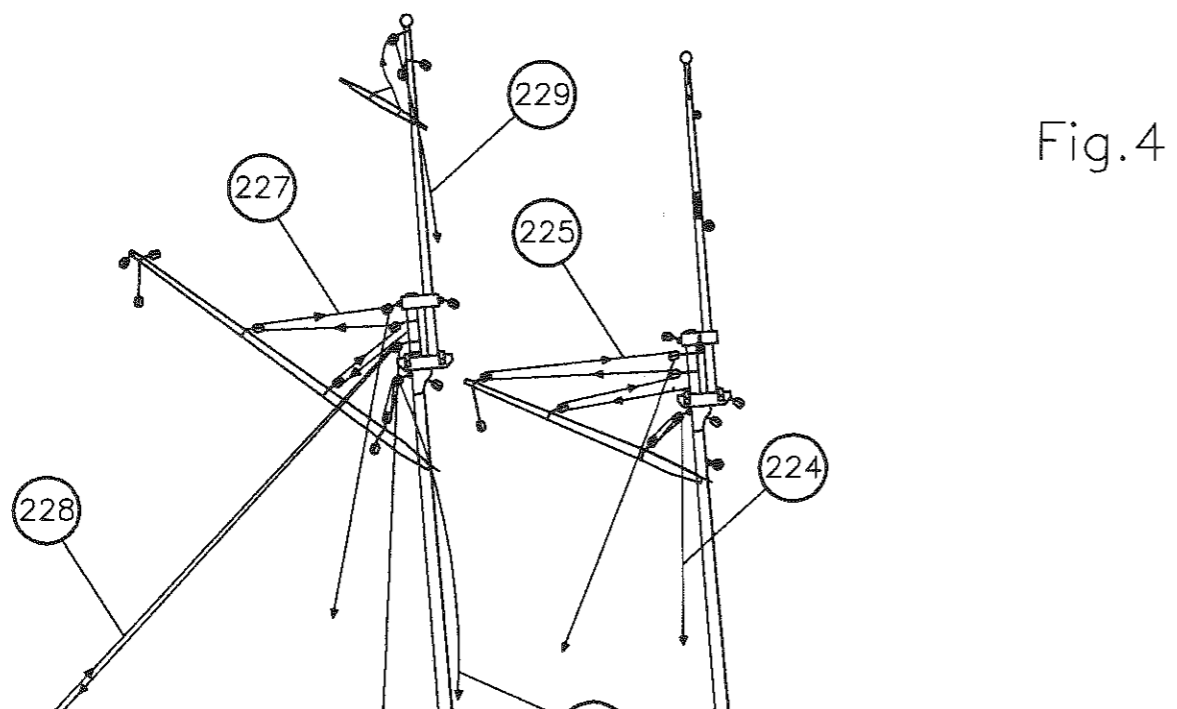
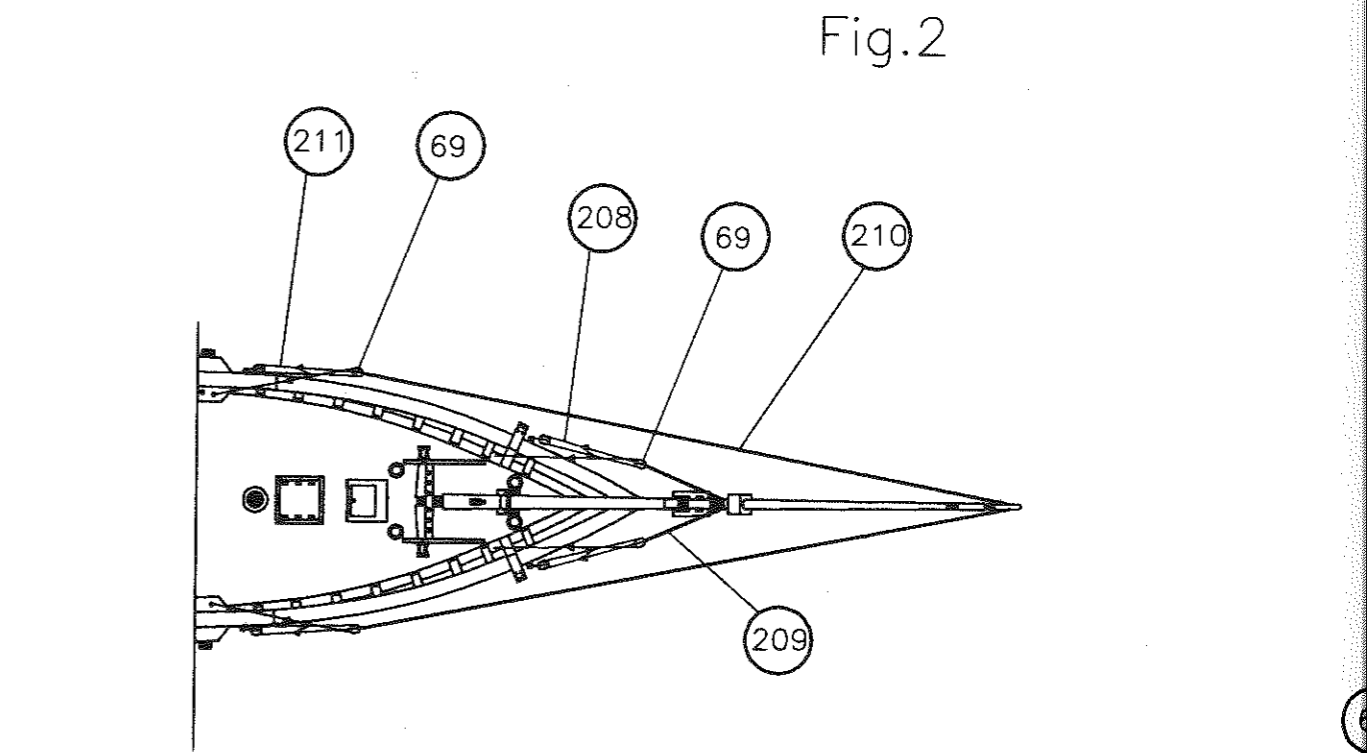
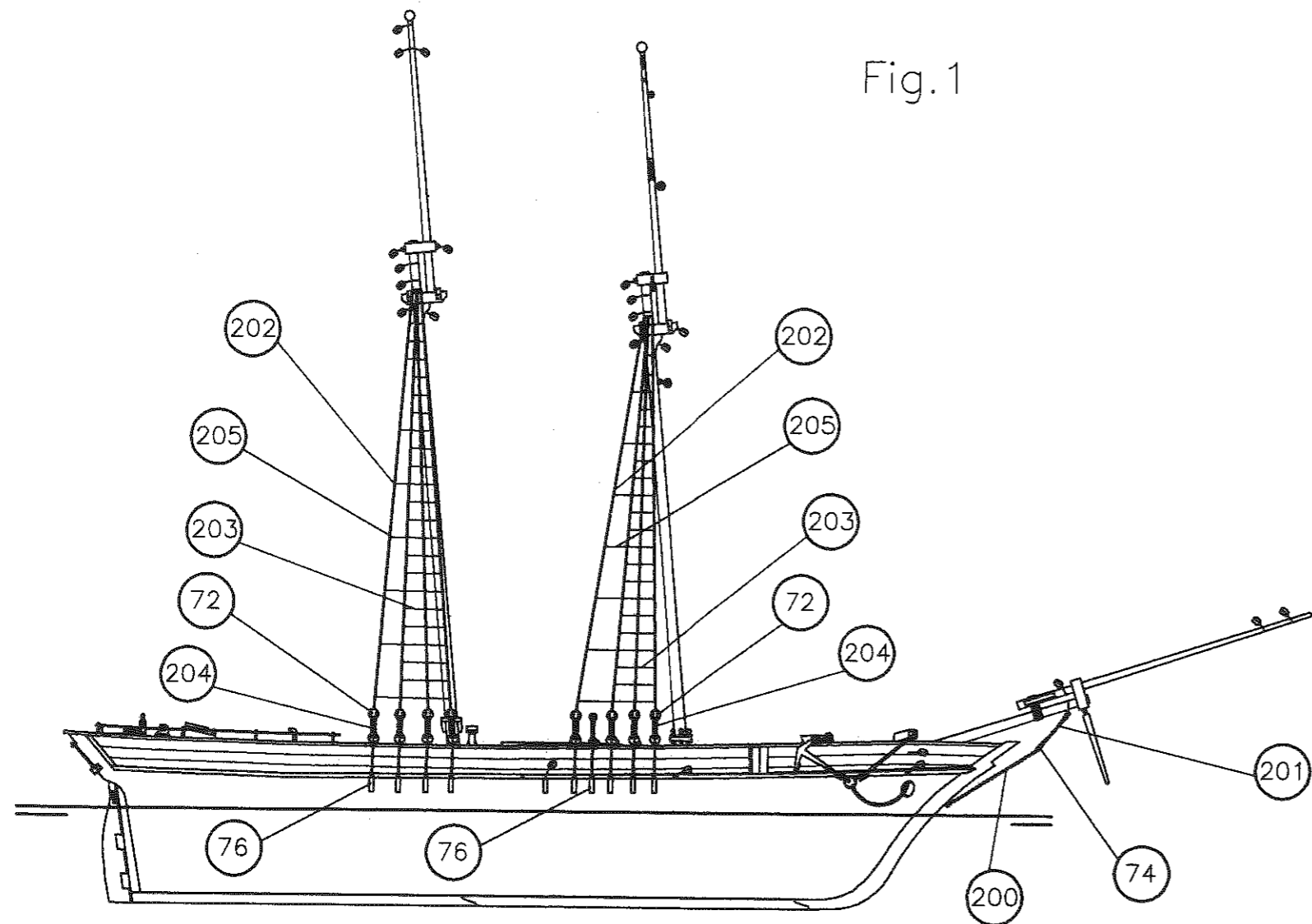
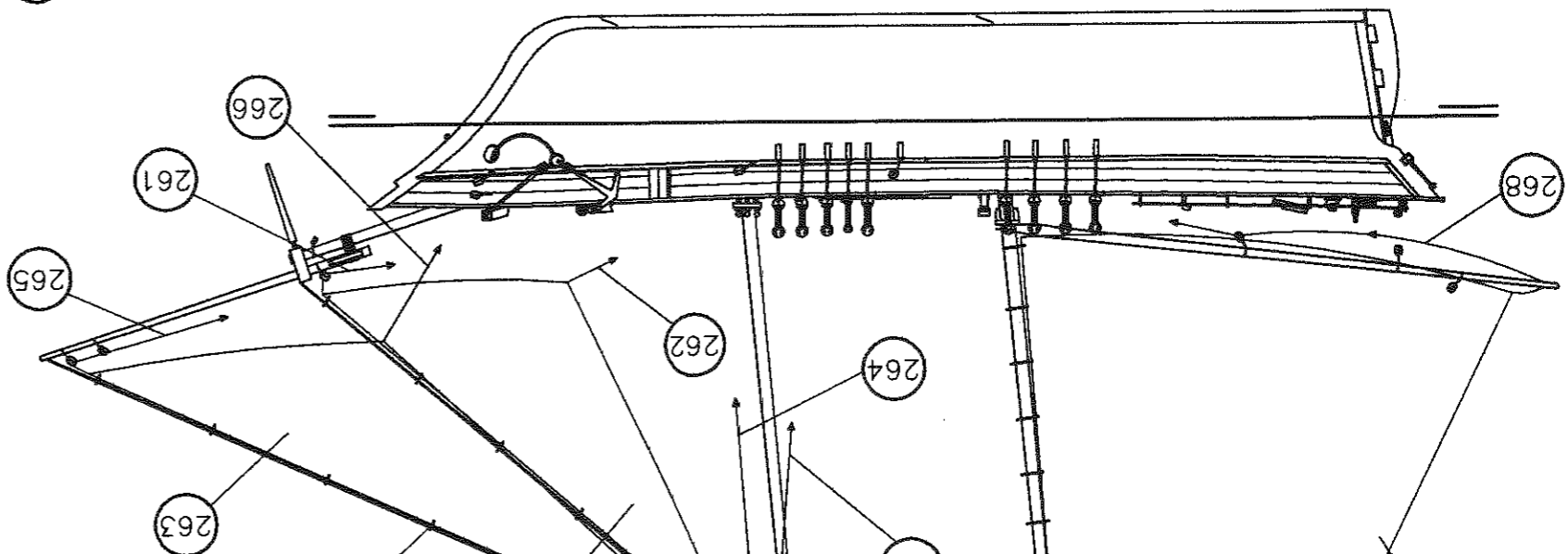
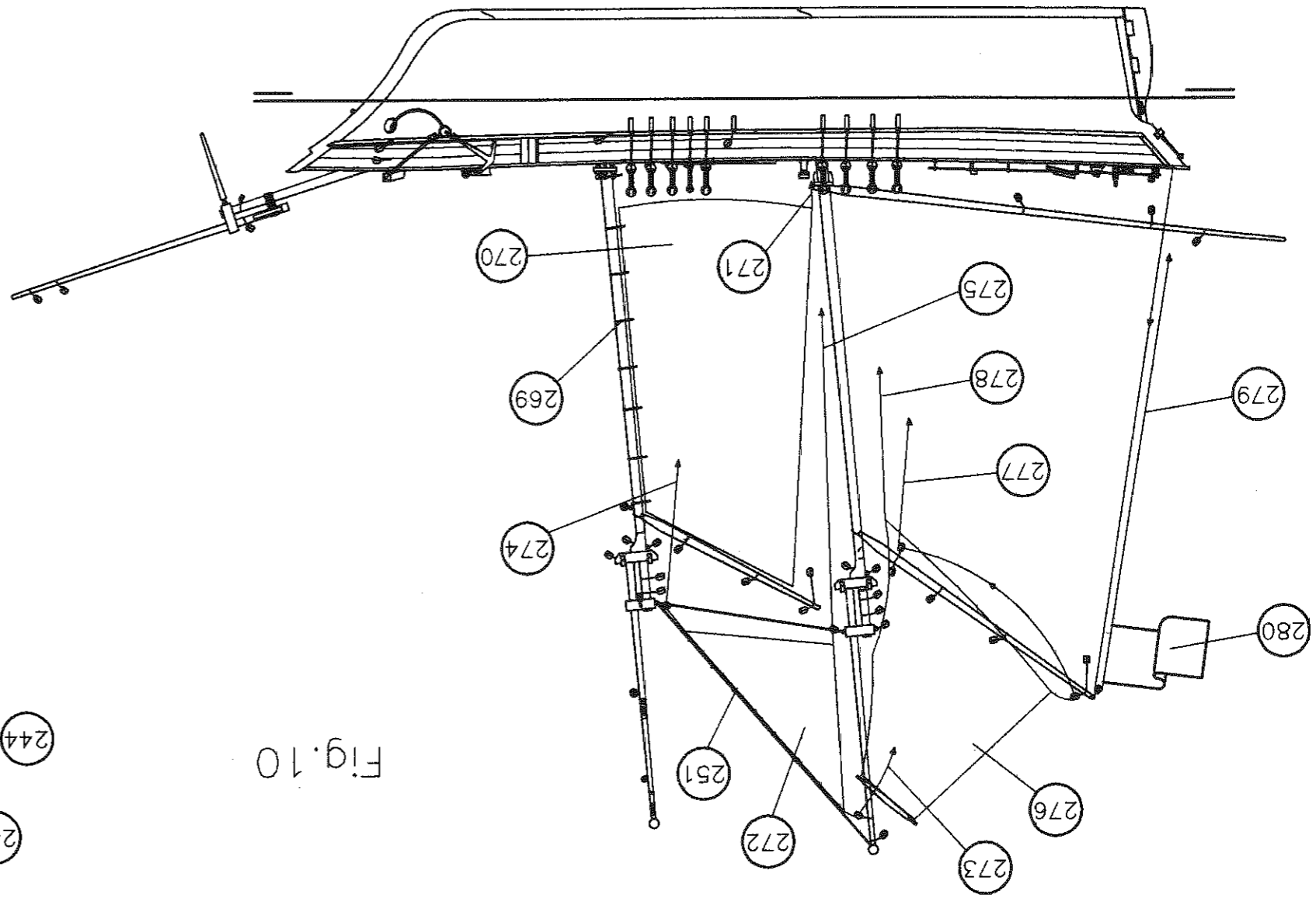
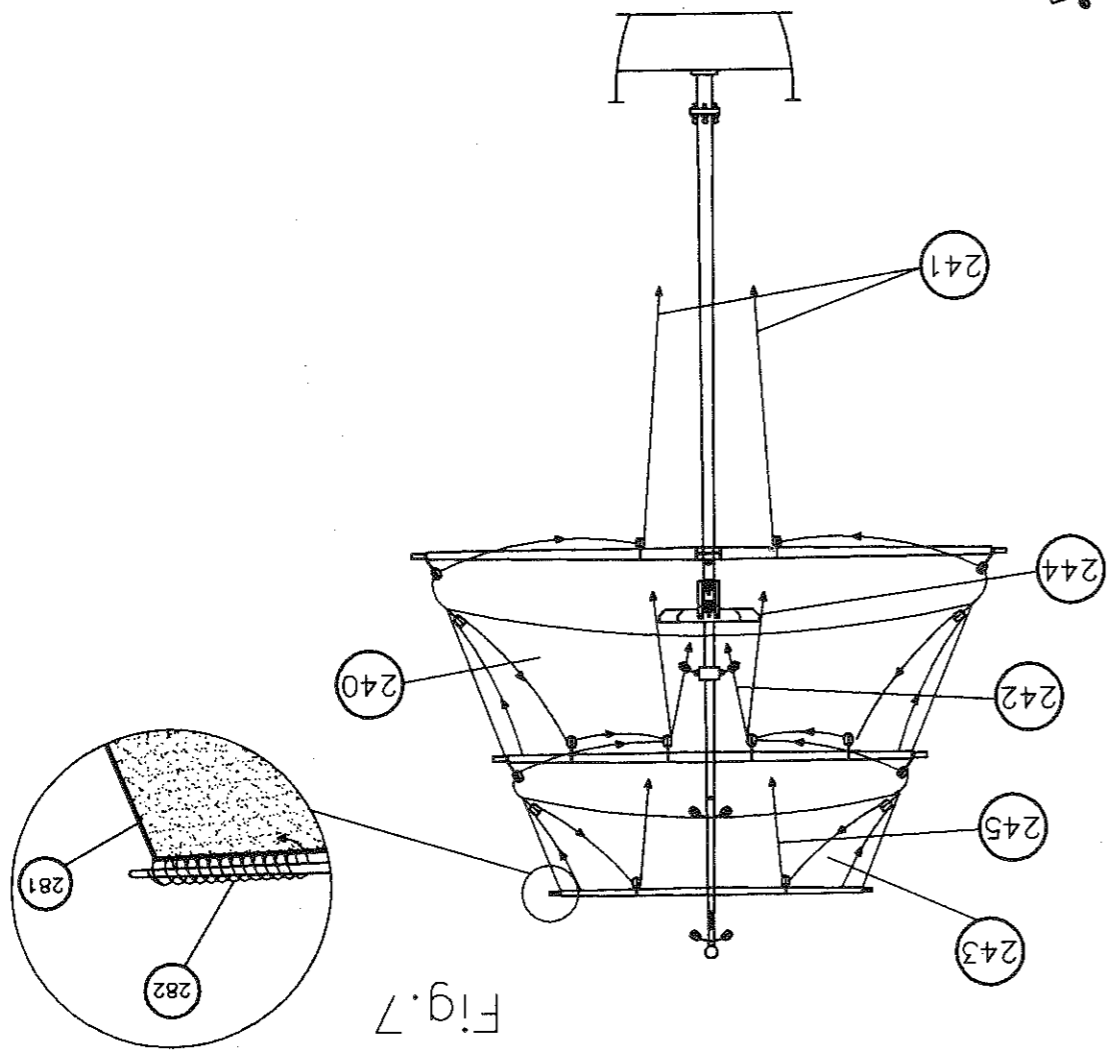


Fig.6



tel
afric.
afric.
con
afric.
con





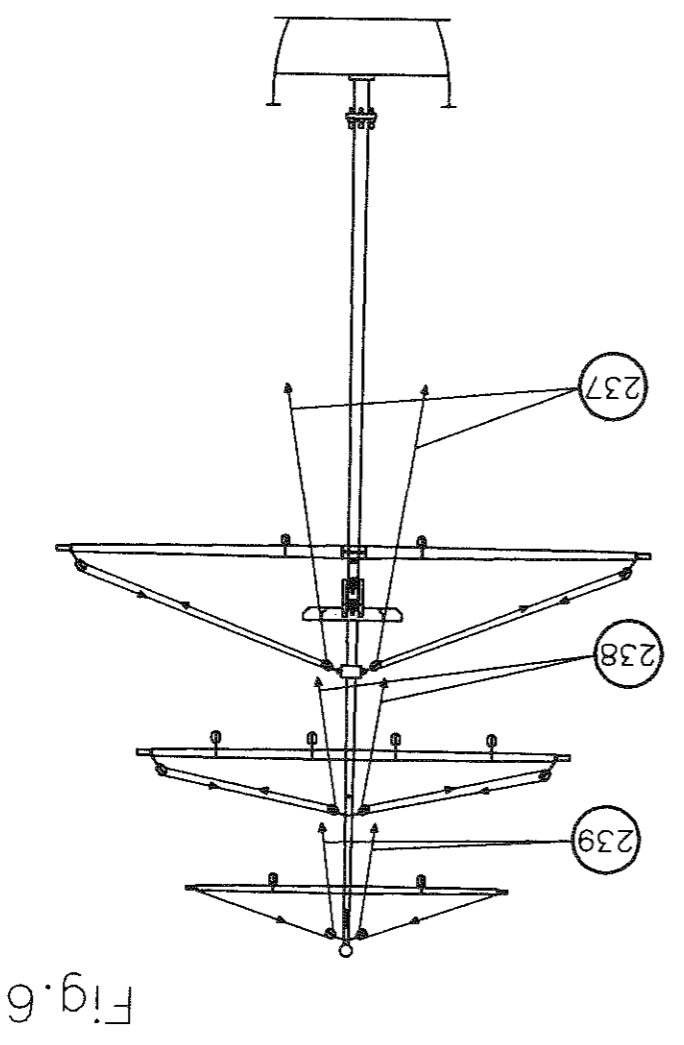


Fig. 6

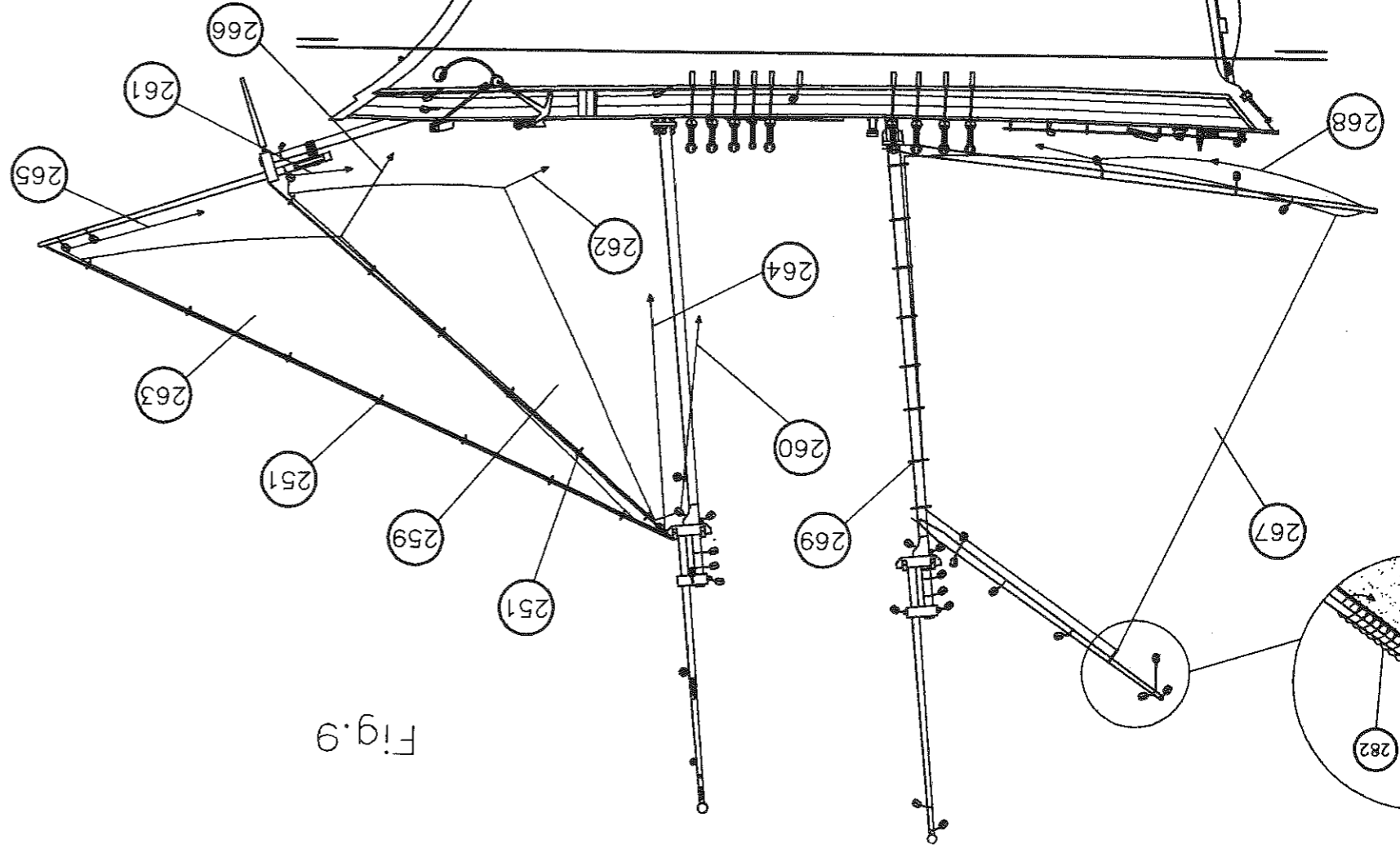
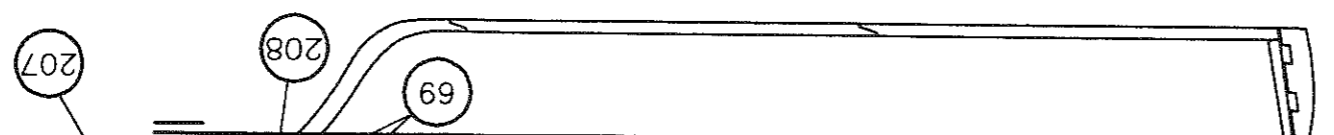


Fig. 9

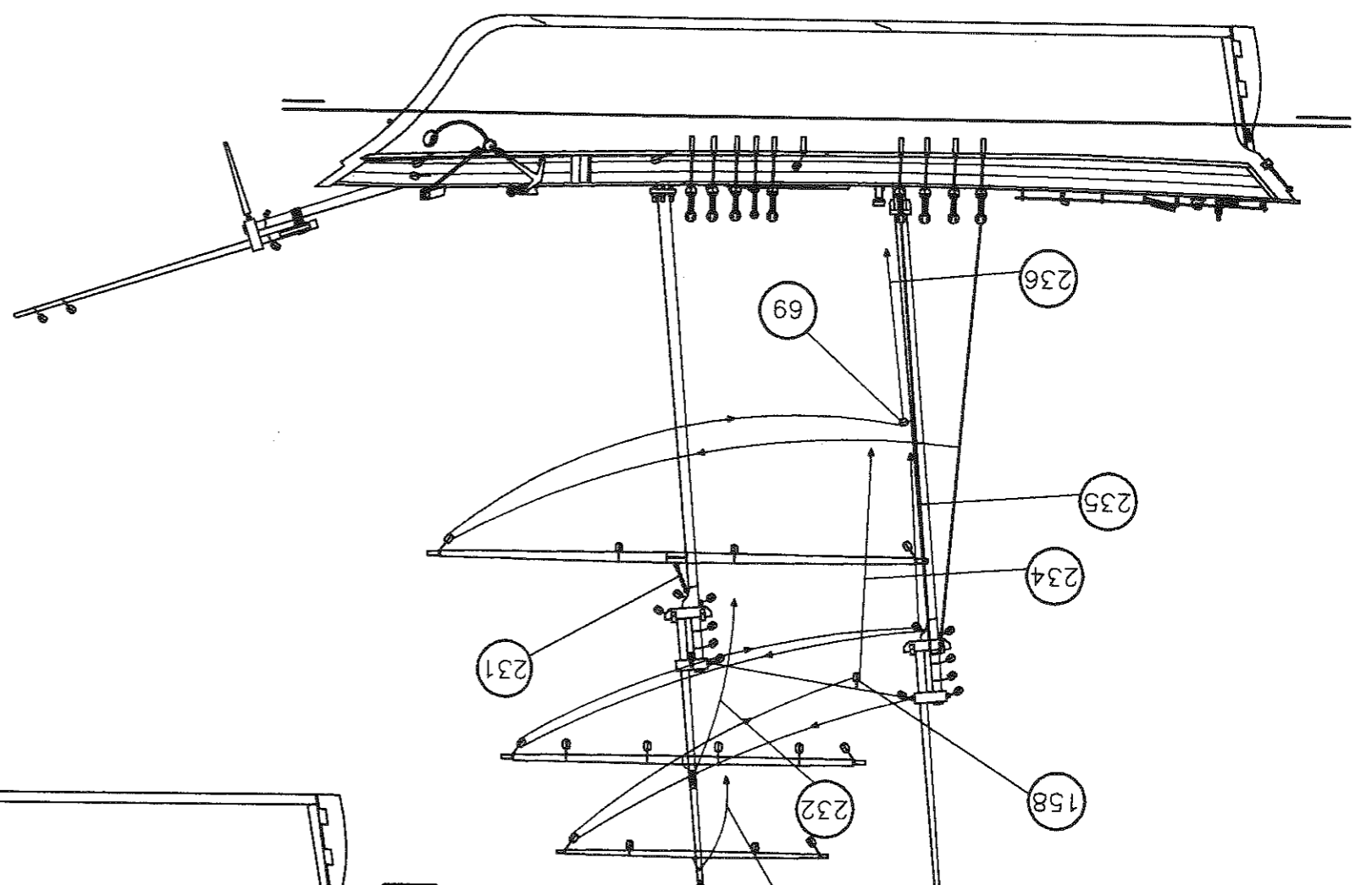


Fig.2

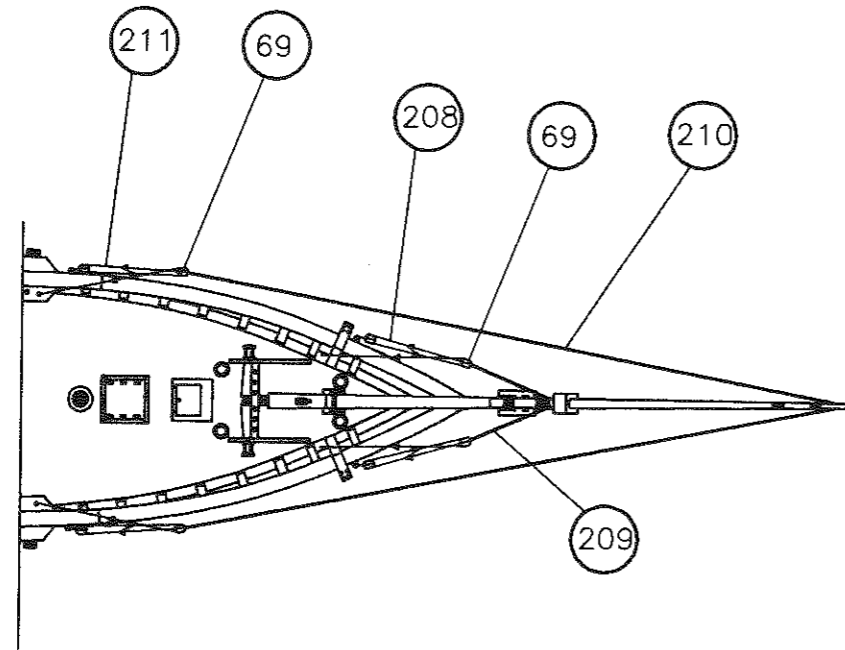


Fig.3

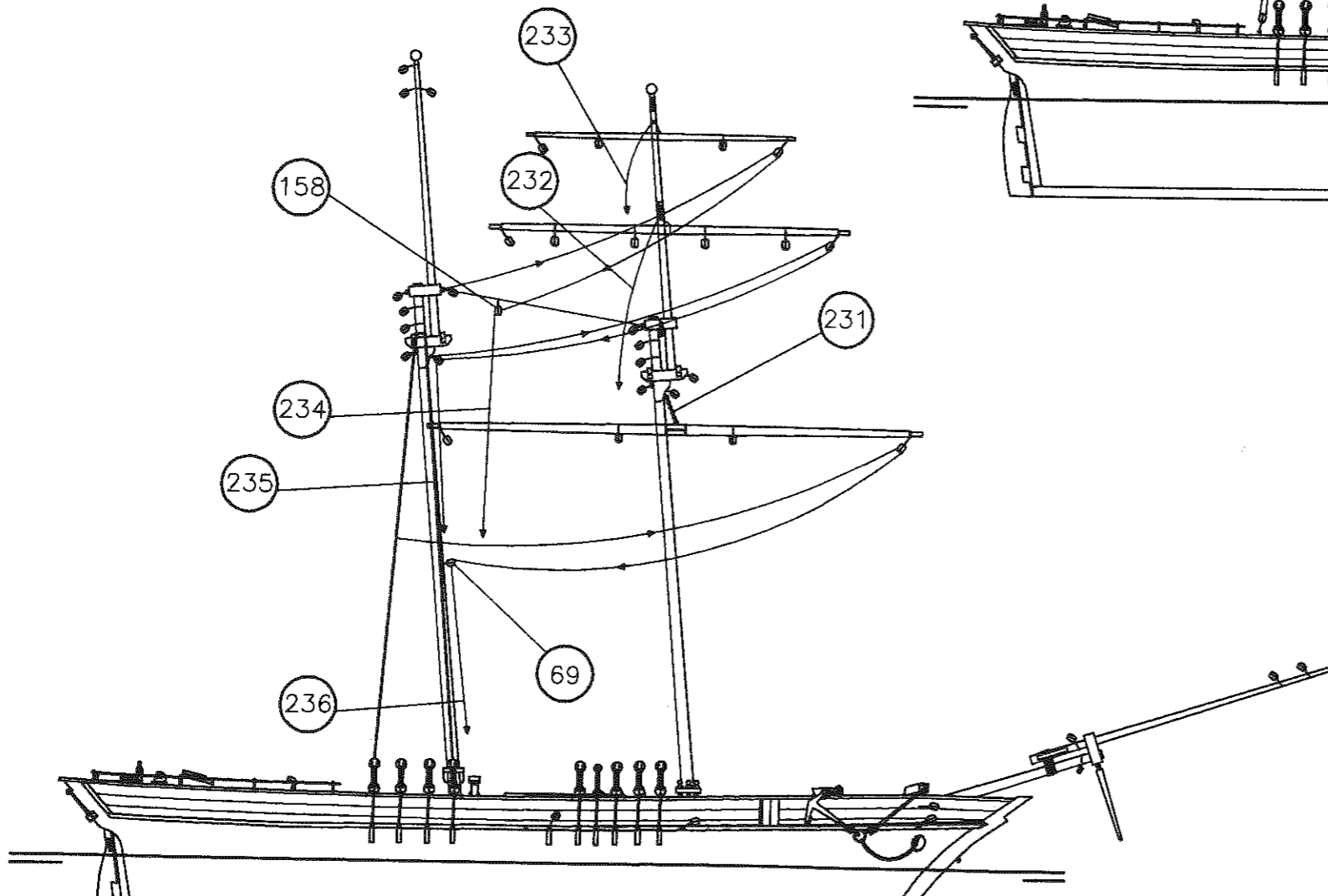
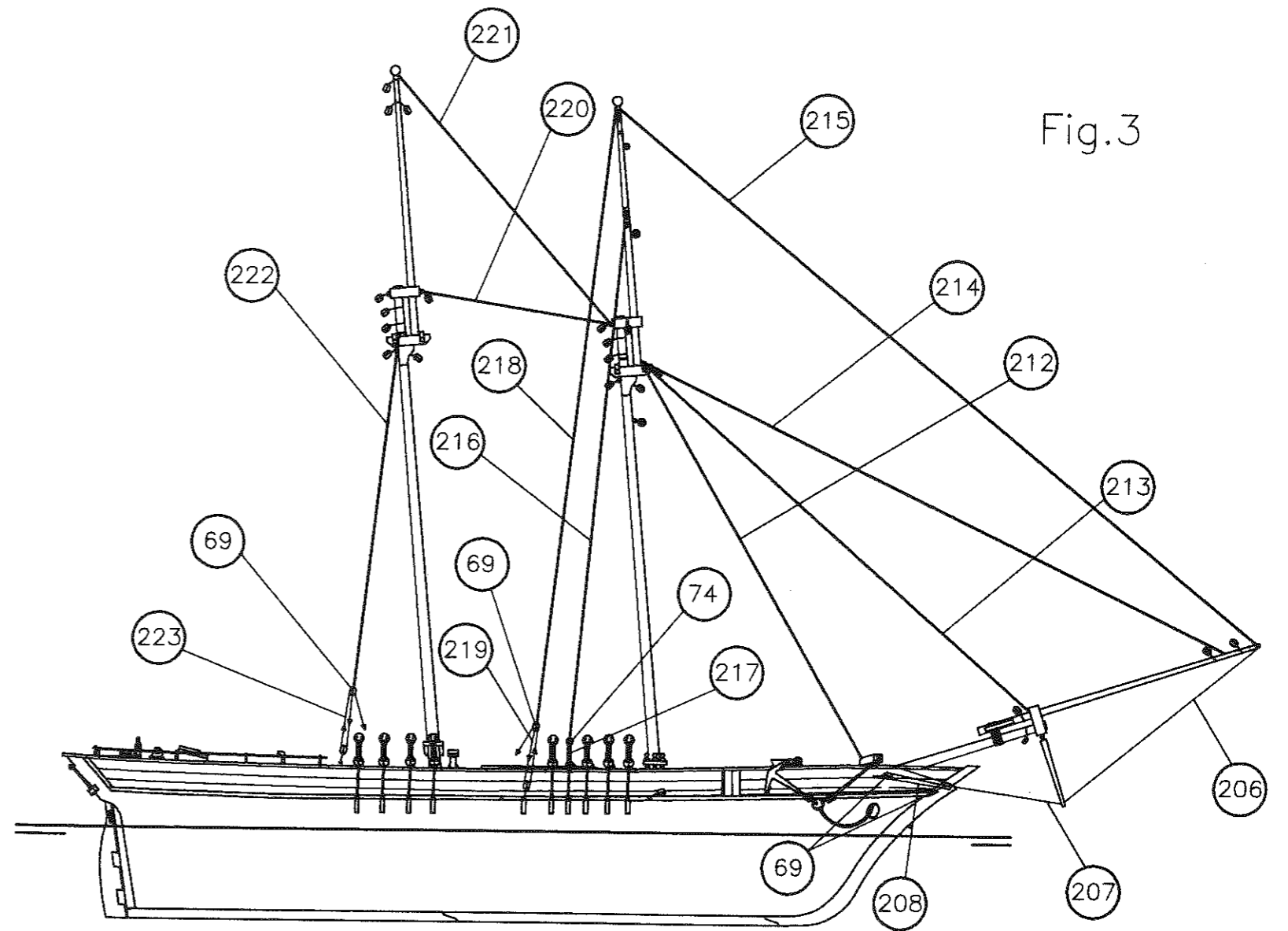


Fig.6

